



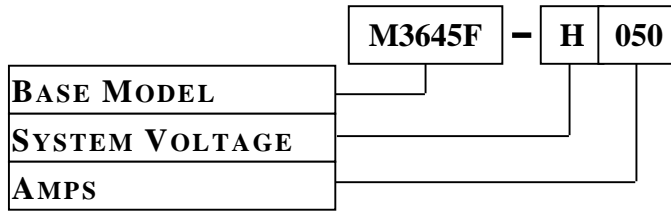
Solutions for AC Drives

Model M3645F

Fuse Kit for M3545, M3346, M3645 Regen Modules



PRODUCT INFORMATION



BASE MODEL NUMBER

The Base Model Number for the Regen Fuse Kit is M3545F for 15A rated fuse plates, and M3645F for all other current ratings.

SYSTEM VOLTAGE RATING

This rating indicates the nominal system voltage.

Table 1: Voltage Rating Codes

RATING CODE	VOLTAGE
H	230 - 480VAC
C	575 - 600VAC

AMP RATING

The Amp Rating refers to the current rating of the Regen module this fuse kit will be used with. It is represented by a 3-digit number (i.e. 050).

Figure 1: Connection Diagram

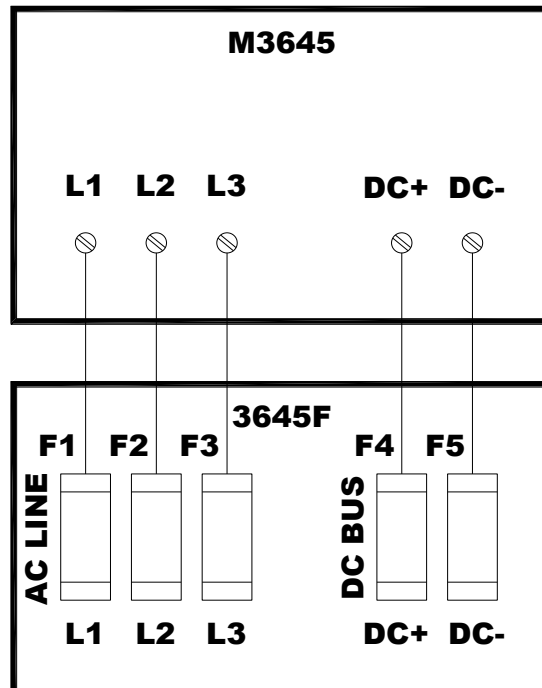


Table 2: Specification Table

REGEN MODEL	FUSE PLATE MODEL	AC LINE FUSES F1, F2, F3	AC POWER WIRING ⁽¹⁾ AND TORQUE	DC BUS FUSES F4, F5	DC BUS TORQUE
M3545-L015 M3545-H015	M3545F-H015	DFJ-20	2 – 3 AWG = 50 lb-in 4 – 6 AWG = 45 lb-in 8 AWG = 40 lb-in	A70QS-32-14F	20 lb-in
M3346-L020 M3346-H020	M3645F-H020	DFJ-30		A70QS-32-14F	20 lb-in
M3645-L030 M3645-E030 M3645-H030	M3645F-H030	DFJ-40		A70QS-40-14F	20 lb-in
M3645-L050 M3645-E050 M3645-H050	M3645F-H050	DFJ-60		A70QS-63-22F	50 lb-in
M3645-L100 M3645-E100 M3645-H100	M3645F-H100	DFJ-125	250 kcmil-1 AWG = 375 lb-in 2 – 6 AWG = 285 lb-in	A70QS-125-4	230 lb-in
M3645-H300T	M3645F-H300	DFJ-350	350 kcmil = 275 lb-in	A70QS3350-4	275 lb-in
M3645-C030	M3645F-C030	DFJ-40	2 – 3 AWG = 50 lb-in 4 – 6 AWG = 45 lb-in 8 AWG = 40 lb-in 10 – 14 AWG = 35 lb-in	A150X40	75 lb-in
M3645-C050	M3645F-C050	DFJ-60		A150X60	75 lb-in
M3645-C100	M3645F-C100	DFJ-125	250 kcmil-1 AWG = 375 lb-in 2 – 6 AWG = 285 lb-in	A150X125	230 lb-in
M3645-C300T	M3645F-C300	DFJ-350	350 kcmil = 275 lb-in	A150X400	275 lb-in

⁽¹⁾ Use copper conductors rated for 75°C**Table 3: M3645F Dimensions**

MODEL	A HEIGHT (INCHES)	B WIDTH (INCHES)	C DEPTH (INCHES)	D MOUNTING WIDTH (INCHES)	E MOUNTING HEIGHT (INCHES)	MOUNTING HOLE DIA (INCHES)
M3545F-H015	6.50	12.00	3.00	11.00	5.00	0.25
M3645F-H020	6.50	12.00	3.00	11.00	5.00	0.25
M3645F-H030	6.50	12.00	3.00	11.00	5.00	0.25
M3645F-H050	6.50	12.00	3.00	11.00	5.00	0.25
M3645F-H100	10.00	17.10	4.25	16.10	8.50	0.25
M3645F-H300	12.00	19.88	5.77	18.88	11.00	0.25
M3645F-C030	10.00	12.50	3.50	11.50	8.50	0.25
M3645F-C050	10.00	12.50	3.50	11.50	8.50	0.25
M3645F-C100	10.00	17.10	4.25	16.10	8.50	0.25
M3645F-C300	12.00	19.88	5.77	18.88	11.00	0.25

Figure 2: M3545F-H015, M3645F-H020, H030, and H050 Dimensional Outline

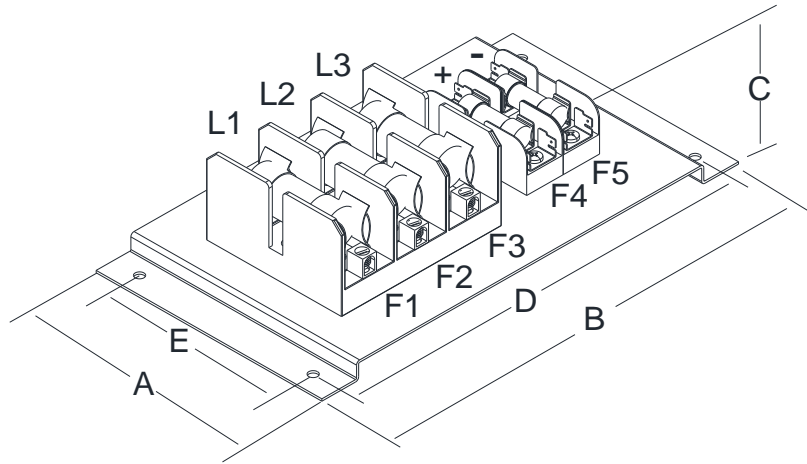


Figure 3: M3645F-H100, C030, C050, C100 Dimensional Outline

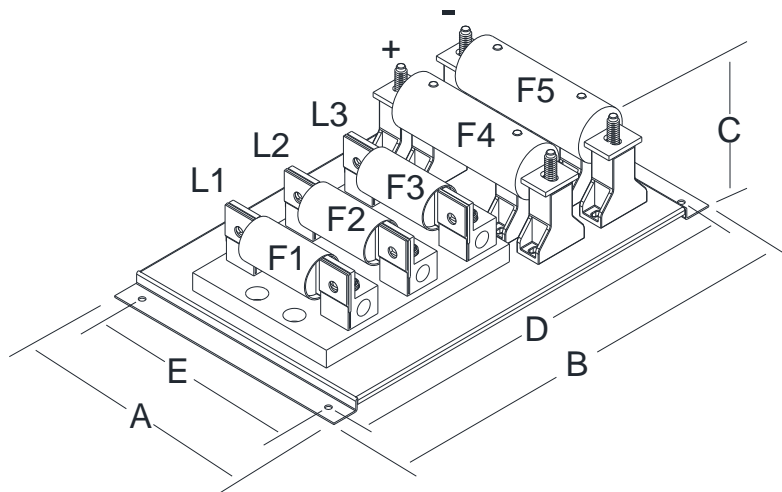


Figure 4: M3645F-H300, C300 Dimensional Outline

