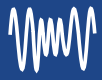


Uninterruptible Power for Drives

BONITRON

Ride-Thru



Undervoltage Solutions



- **Protect critical processes from power fluctuations**
- **Reduce production equipment damage**
- **Maximize uptime and increase profit**

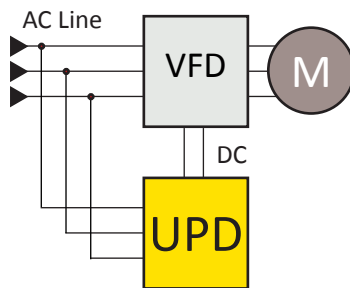
UPD Advantages

Parallel Connection

High Reliability
Seamless power transfer

Increased Efficiency

Ultra low standby power
Sized to drive systems
Few AC/DC conversions



Bonitron UPD (Uninterruptible Power for Drives) Systems include a DC Voltage Regulator that monitors the drive. If the drive voltage sags or disappears, the Voltage Regulator becomes active and provides power to the DC bus. This allows critical processes to never see the disturbance and can continue operating at full power. Thanks to Bonitron's parallel connection, very low standby power and long product life can be expected.

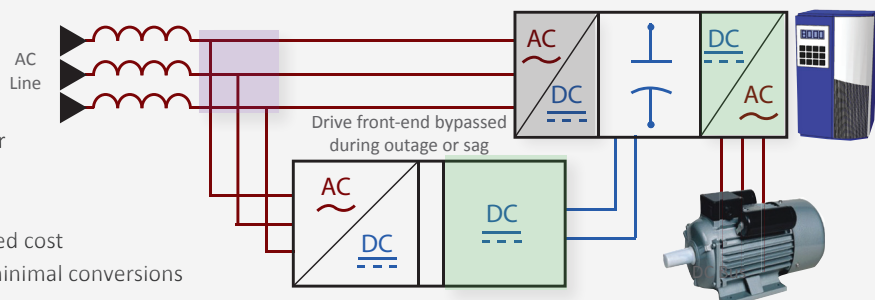
Product Highlights

- Provides full-load power for up to 2 seconds for:
 - 50% 3-phase sags
 - 1-phase sag to 0v
- Electrolytic or ultracapacitor energy storage for reduced maintenance and long lifespan
- Provides full-load power for up to 2 seconds for 100%, 3-phase outages
- Built in discharger for increased safety
- Battery energy storage for long durations
- Provides full-load power for up to 15 minutes for 100%, 3-phase outages
- Ideal for *dark starts* or to maintain process before generator starts

Bonitron Sag UPD Systems boost remaining AC power to power the DC bus of the drive via DC bus connection terminals on the drive. This eliminates an unnecessary and energy-wasting DC to AC conversion.

Bonitron UPD Advantages

- **Parallel Connection**
 - High reliability
 - Seamless power source transfer
- **Increased efficiency**
 - Ultra-low standby power
 - Sized to drive system for reduced cost
 - Power supplied to DC bus for minimal conversions



www.bonitron.com



615-244-2825

info@bonitron.com



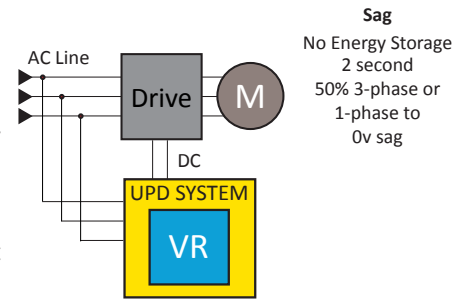
Sag

Deep Sag Correction - Up to 2 Seconds

Bang for Your Buck!

Bonitron Sag UPD (Uninterruptible Power for Drives) Solutions are the cost effective way to make sure your critical process never sees power disturbances from voltage sags. While some applications experience complete power outages, in most parts of the world sags are the most common culprit of process power disturbances.

Sag Solutions include a voltage regulator that allow your process to continue running at full power during a voltage sag. If future needs require energy storage, a simple add-on can easily be installed.



	Maximum Current	Sag Duration	Cabinet	Voltage Regulator	Energy Storage	Interactive Display
S3534SR SERIES	85A	2 sec	Yes	Yes	N/A	Yes
S3460SR SERIES	610A	2 sec	Yes	Yes	N/A	Yes

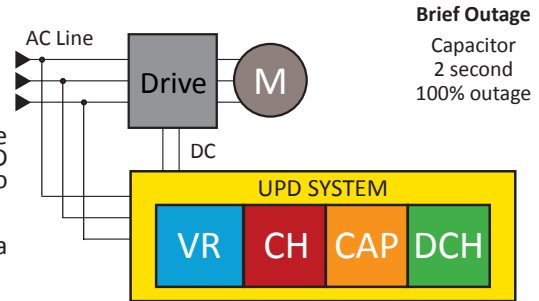
Capacitor

Blackout Protection - Up to 2 Seconds

Increased Confidence!

While many power disturbances are only caused by sags, there are also complete outages that can wreak havoc on a critical process. Bonitron Capacitor UPD (Uninterruptible Power for Drives) Solutions allow your process to continue to run at full speed for up to 2 seconds during a complete power outage.

Bonitron Capacitor UPD Solutions use long-life capacitors and include a discharger for increased safety and quick cabinet access.



	Maximum Current	Outage Duration	Cabinet	Energy* Storage	Voltage Regulator	Charger	Discharger	Interactive Display
S3534EC SERIES	5A	0.5 sec	Yes	Electrolytic	N/A	N/A	N/A	
S3534CR SERIES	85A	1 sec	Yes	Electrolytic	Yes	Yes	Yes	Opt.
S3534UR SERIES	85A	2 sec	Yes	Ultracapacitor	Yes	Yes	Yes	Yes
S3460UR SERIES	425A	2 sec	Yes	Ultracapacitor	Yes	Yes	Yes	Yes

*Supplied or acquired locally

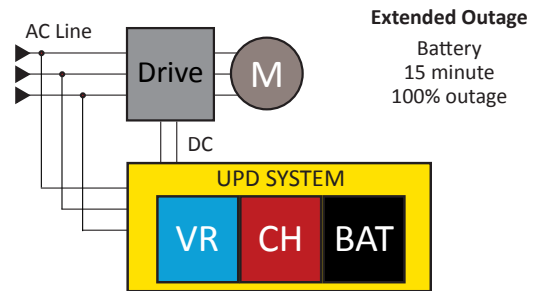
Battery

Blackout Protection - Up to 15 Minutes

No Power? No Problem!

Bonitron Battery UPD (Uninterruptible Power for Drives) Systems are the economical method of providing DC bus back-up power for up to 15 minutes and are ideal for dark starts where no initial power is available or to hold up processes until there's time for generators to start.

Bonitron Battery UPD Solutions can be purchased with batteries, or batteries can be sourced locally to reduce shipping costs.



	Maximum Current	Outage Duration	Cabinet	Voltage Regulator	Charger	Energy* Storage	Interactive Display
S3534BR SERIES	40A	Up to 60 sec.	Yes	Yes	Yes	Battery	Yes
S3460BR SERIES	610A	Up to 15 min.	Yes	Yes	Yes	Battery	Yes

*Supplied or acquired locally

141028_2050604

