

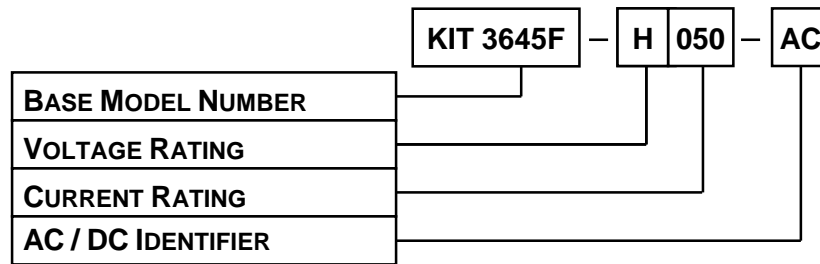


Solutions for AC Drives

KIT 3645F

AC and DC Fuse Kit for M3545, M3645 Regen Modules

PRODUCT INFORMATION



BASE MODEL NUMBER

The base model number for the regen fuse kit is KIT 3545F for 15A rated regens, and KIT 3645F for all other current ratings.

SYSTEM VOLTAGE RATING

This rating indicates the nominal system voltage.

Voltage Rating Codes

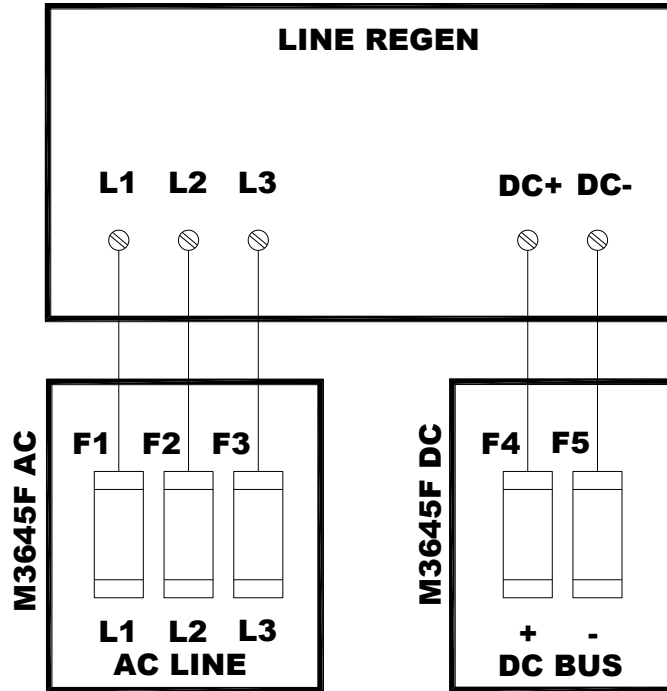
RATING CODE	VOLTAGE
H	230 - 480VAC
C	575 - 600VAC

AMP RATING

The Amp Rating refers to the current rating of the Regen module this fuse kit will be used with. It is represented by a 3-digit number (i.e. **050** means 50A).

AC / DC IDENTIFIER

This indicates if the fuse plate is for the AC line side of the regen or the DC connection to the drive.



Specification Table

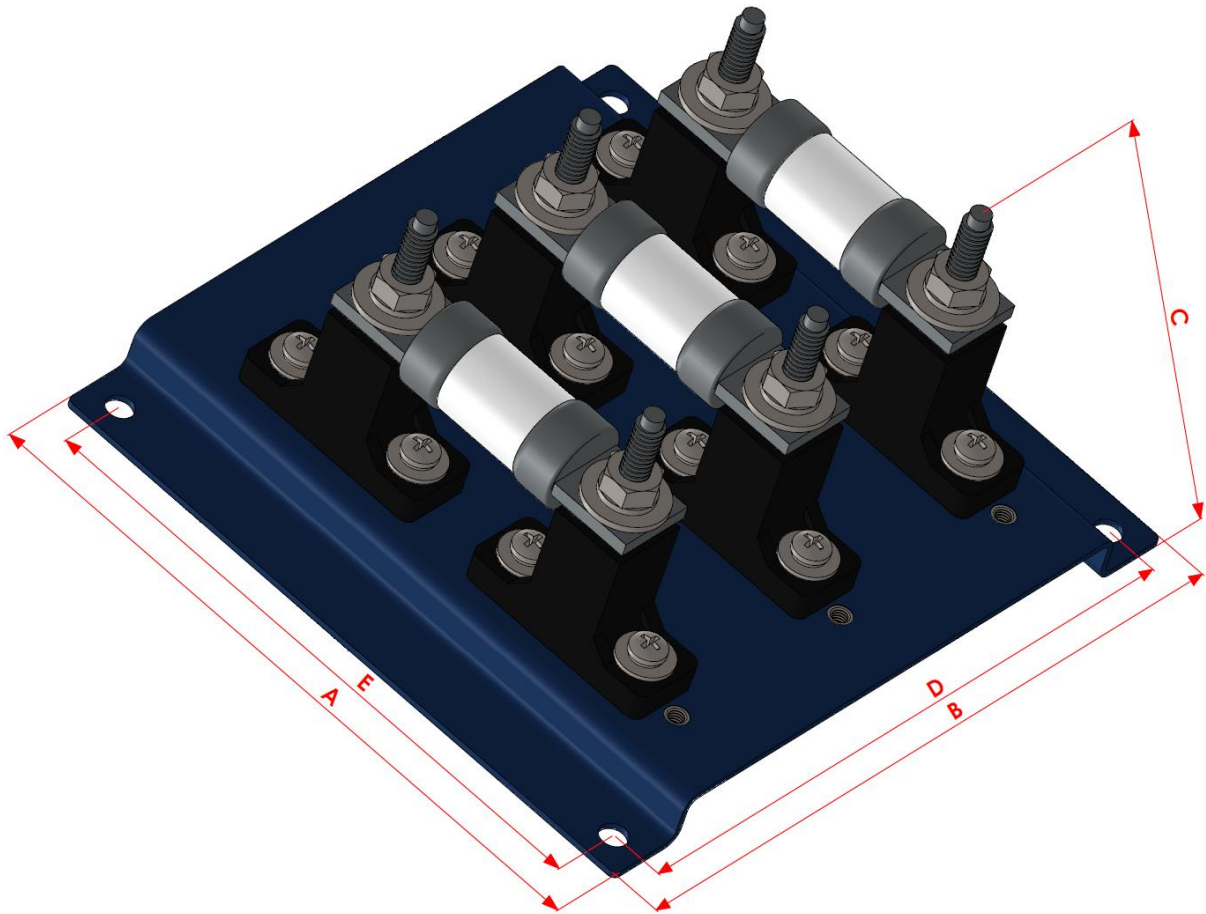
REGEN MODEL	FUSE PLATE MODEL	FUSES	POWER WIRING ⁽¹⁾	TORQUE
M3545-L015	M3545F-H015-AC	A60Q30-2	12 AWG	20 lb-in
M3545-H015	M3545F-H015-DC	A70QS32-14F	12 AWG	20 lb-in
M3645-L030	M3645F-H030-AC	A50P50-4	2 – 8 AWG	75 lb-in
M3645-E030	M3645F-H030-DC	A70QS40-14F	10 AWG	20 lb-in
M3645-H030				
M3645-L050	M3645F-H050-AC	A50P80-4	2/0 – 4 AWG	75 lb-in
M3645-E050	M3645F-H050-DC	A70QS63-22F	6 AWG	35 lb-in
M3645-H050				
M3645-L100	M3645F-H100-AC	A50P150-4	2/0 – 4 AWG	75 lb-in
M3645-E100	M3645F-H100-DC	A70QS125-4	2/0 – 4 AWG	75 lb-in
M3645-H100				
M3645-H300T	M3645F-H300-AC	A50P350-4	350 kcmil	230 lb-in
	M3645F-H300-DC	A70QS350-4	350 kcmil	230 lb-in
M3645-C030	M3645F-C030-AC	DFJ-40	10 AWG	50 lb-in
	M3645F-C030-DC	A150X40-4	2 – 3 AWG	75 lb-in
M3645-C050	M3645F-C050-AC	DFJ-60	6 AWG	50 lb-in
	M3645F-C050-DC	A150X60-4	2 – 3 AWG	75 lb-in
M3645-C100	M3645F-C100-AC	DFJ-125	2 AWG	230 lb-in
	M3645F-C100-DC	A150X125-4	250 kcmil	230 lb-in
M3645-C300T	M3645F-C300-AC	DFJ-350	350 kcmil	300 lb-in
	M3645F-C300-DC	A150X400-4	350 kcmil	300 lb-in

⁽¹⁾ Use copper conductors rated for 75°C

AC Fuse Plate Dimensions

MODEL	A HEIGHT (INCHES)	B WIDTH (INCHES)	C DEPTH (INCHES)	D MOUNTING WIDTH (INCHES)	E MOUNTING HEIGHT (INCHES)	MOUNTING HOLE DIA (INCHES)
M3545F-H015-AC	5.00	5.85	1.71	5.25	4.40	0.25
M3645F-H030-AC	6.00	6.35	2.97	5.75	5.40	0.25
M3645F-H050-AC	6.00	6.35	2.97	5.75	5.40	0.25
M3645F-H100-AC	6.00	6.35	2.97	5.75	5.40	0.25
M3645F-H300-AC	6.25	8.38	4.14	7.78	5.65	0.25
M3645F-C030-AC	5.00	6.60	2.92	6.00	4.40	0.25
M3645F-C050-AC	5.00	6.60	2.92	6.00	4.40	0.25
M3645F-C100-AC	7.50	10.35	4.28	9.75	6.90	0.25
M3645F-C300-AC	11.00	12.38	5.27	11.78	10.40	0.25

AC Fuse Plate Dimensional Outline



DC Fuse Plate Dimensions

MODEL	A HEIGHT (INCHES)	B WIDTH (INCHES)	C DEPTH (INCHES)	D MOUNTING WIDTH (INCHES)	E MOUNTING HEIGHT (INCHES)	MOUNTING HOLE DIA (INCHES)
M3545F-H015-DC	5.00	5.85	1.88	5.25	4.40	0.25
M3645F-H030-DC	5.00	5.85	1.88	5.25	4.40	0.25
M3645F-H050-DC	5.00	5.85	2.70	5.25	4.40	0.25
M3645F-H100-DC	5.00	5.85	2.70	5.25	4.40	0.25
M3645F-H300-DC	6.25	8.38	4.14	7.78	5.65	0.25
M3645F-C030-DC	8.50	6.85	2.97	6.25	7.90	0.25
M3645F-C050-DC	8.50	6.85	2.97	6.25	7.90	0.25
M3645F-C100-DC	8.50	6.85	4.14	6.25	7.90	0.25
M3645F-C300-DC	11.00	12.38	5.77	11.78	10.40	0.25

DC Fuse Plate Dimensional Outline